

CUSTOMER:

ADDRESS:

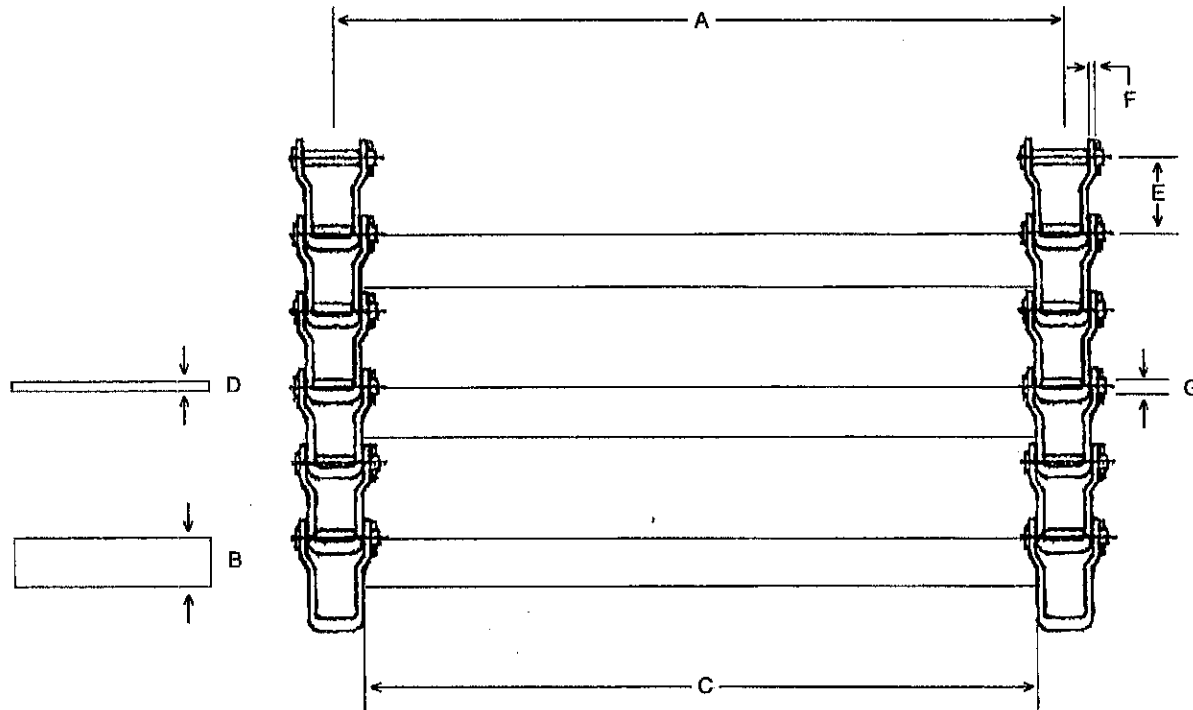
PHONE:

CONTACT:

DATE:

SPECIFY UNIT TYPE AND MODEL NUMBER:

PINTLE CHAIN DATA SHEET



PLEASE ENTER THE DIMENSIONS BELOW

CHAIN DIMENSIONS

REQUIRED →	A	CENTER TO CENTER CHAIN
	B	CROSS BAR WIDTH
	C	CROSS BAR LENGTH
	D	CROSS BAR THICKNESS
REQUIRED →	E	CHAIN PITCH
REQUIRED →		CHAIN LENGTH (LINKS/PITCHES)
REQUIRED →	G	PIN DIAMETER

CHAIN TYPE (CHOOSE ONE THICKNESS)

F	.125	662	PINTLE CHAIN
F	.125	667H	PINTLE CHAIN
F	.170	667X	PINTLE CHAIN
F	.200	667K	PINTLE CHAIN
F	.224	667XH	PINTLE CHAIN
F	.200	88K	PINTLE CHAIN

CHAIN CONSTRUCTION (CHOOSE ONE) ← REQUIRED

CROSS BAR EVERY LINK
CROSS BAR EVERY OTHER LINK
CROSS BAR EVERY 3RD LINK
CROSS BAR EVERY 4TH LINK

www.albusconveyors.com

Fax: 715-532-5687